

Web Store: <http://transverters-store.com/>

1. All external connections to the board are shown on the picture.
2. **RF input** power to the transverter from your HF transceiver must be between **1 to 100 mWt (0.1 watts max.)**. You can adjust it using **Rinp** pot on the board.
3. DC current is **+12 V**
4. RF Output power on **70 mhz** is about **10 to 15 watts**.
5. To get the transverter switched to the **TX** mode connect the **PTT** line to the ground.

There is a description of the connectors pins:

1. IF 28 mhz transverter input – output line
2. Ground
3. PTT line (ground it to switch it to the TX mode)
4. Control point (we used it to adjust the board)
5. +12 V
6. Ground
7. Antenna 70 mhz
8. Ground

To read below and mount your transverter EXACTLY as it's described.

The transverter board **MUST BE MOUNTED** onto the heat sink. Screw down the transistor onto the heat sink and then put a few metal nuts or washers under both side bolts between the board and the heat sink so to get the board flat mounted above the heat sink about a few millimetres.

The output transistor **MUST BE MOUNTED** onto the heat sink without insulation.

The **GROUND** of the output transistor, the heat sink and the board **MUST** be connected.

RX and **TX** connection lines must be done with the coax cable !

BE CAREFUL !

If you apply more than **0.1 W** to the transverter board from your radio you instantly get the transverter killed.

Web Store: <http://transverters-store.com/>

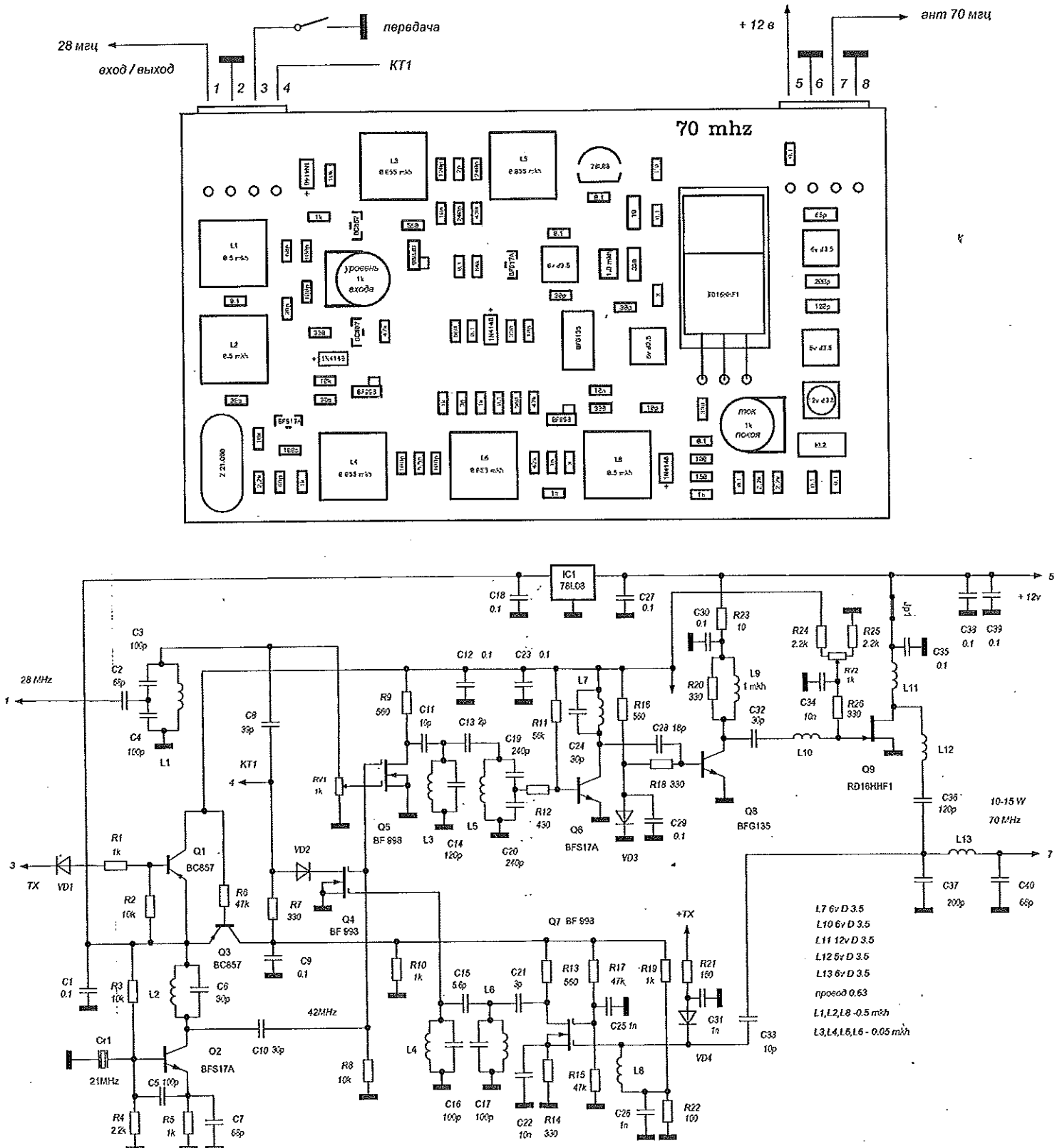
E-mail: ut5jcw@usa.com

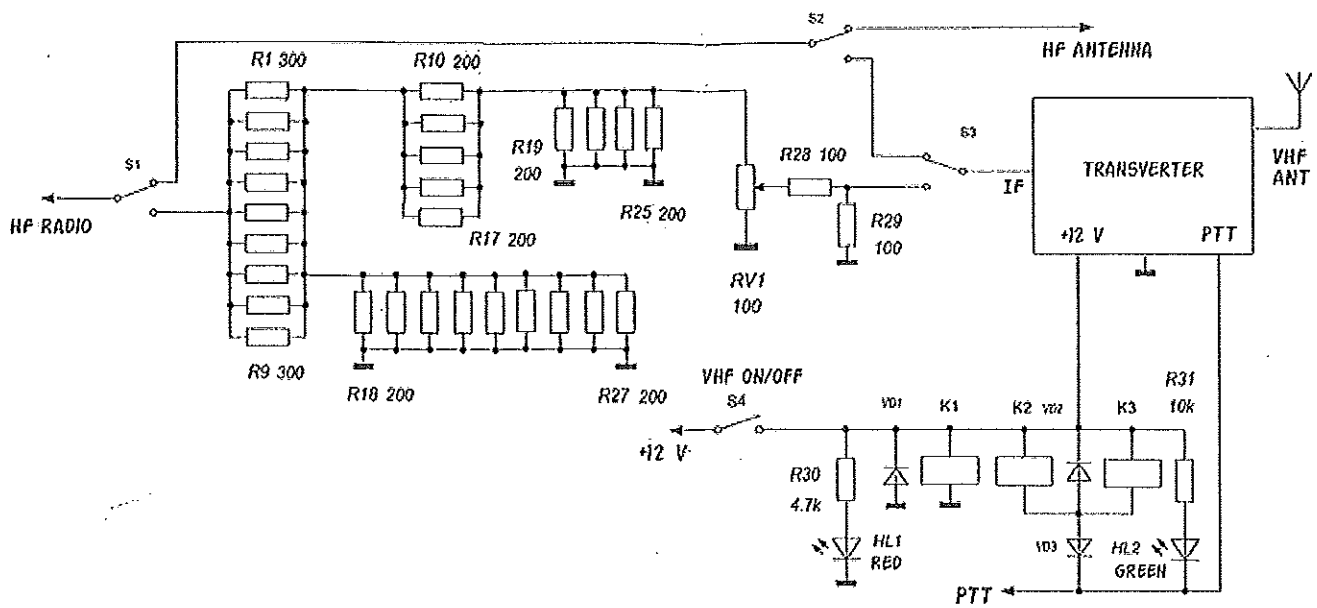
Skype: [ut5jcw](https://www.skype.com/user/ut5jcw)

Подключение показано на рисунке. Входная мощность может быть от 10 мвт до 100 мвт. Определяется положением регулятора уровня входа. Сквозное усиление по приему 20 ДБ. То есть 5 мкв на 70 мгц будет давать 50 мкв на выходе 28 мгц. (что равно принятому уровню 9 баллов для обоих диапазонов).

- Напряжение питания 12-14 в. (крепить на массу непосредственно без изол прокладок! Вход выход подключать ВЧ кабелем).
- Вых мощность 10-15 вт
- Чувствительность не хуже 0,1 мкв
- Входное и вых сопротивление 50 ом

Частота гетеродина 42.00 МГц Рабочая частота = Fгет + F трансивера





ALL RX/TX CONNECTION MUST BE DONE WITH THE COAX CABLE !

BE CAREFUL !

DO NOT APPLY MORE THAN 20 WATTS TO THIS ATTENUATOR BOARD BECAUSE IT MAY BE DAMAGED !!!

Web Store: <http://transverters-store.com/>

E-mail: ut5jcw@usa.com

Skype: ut5jcw